

KLEPPENREGISTERS

Type NKR-J2/ALU

Dampers type NKR-J2 are designed for use in air treatment systems with a maximum air velocity of 10 m/s at max. pressure difference of 1000 Pa.

De dampers are standard manufactured from aluminium material. The blades are foreseen with plastic bearings and have a rubber sealing.

Blades at model 125 will come approx. 20mm outside the housing when opened. Optional model 180 is available. In this model the blades remain in the housing when opened.

Deliverable with counter rotating or parallel rotating blades. The flange is standard provided with predrilled holes.

Dimensions:

Deliverable in maximum dimensions 2000 x 1995 (W x H in mm); when larger dimensions are required several parts are coupled.

Implementation:

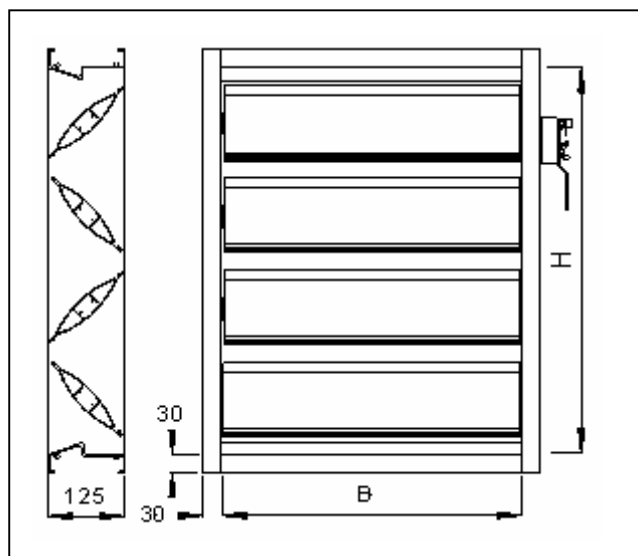
Deliverable in other dimensions, form and colour.

Deliverable with servo-motor preparation.

Deliverable with built on servomotor.



Dimensions	
Width in mm	Height in mm
200	175
300	325
400	475
500	625
600	775
800	925
900	1075
1000	1225
1100	1375
1200	1525
t/m	t/m
2000	1975



Zeta-waarde at blade position	Counter rotating				Parallel rotating			
	0-10°	30°	60°	80°	0 - 10°	30°	60°	80°
<i>Kanaalaansluiting</i>								
Tweezijdig	0,21	3,9	140	10000	0,21	1	10	160
Eenzijdig pers	2,1	9	150	10000	2,1	3,9	16	170
Eenzijdig zuig	0,9	5	140	10000	0,9	1,8	10	160
zonder	3,9	10	150	10000	3,9	5,5	17	170

$$\Delta P = Zeta \times 0,5 \rho \times v^2$$

ΔP = pressure loss in Pa

Zeta = restriction coefficient

Rho = voluminal weight of air (at 20°C and 1 bar is 1,188 kg/m³)

v = air velocity in m/s