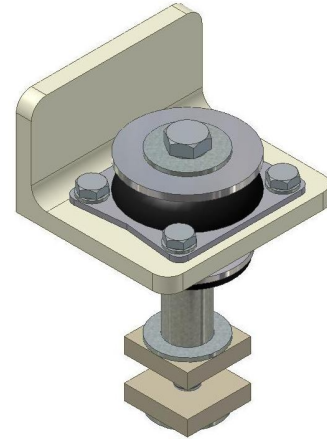


# FLEXIBLE SUSPENSION

## Fixed hanging points

The hanging fixed points support the exhaust system and control the dynamic forces which occur in the system while the vessel is in operation.  
The fixed points control the direction of the thermal expansion within the exhaust system.



### Dimensions:

Type	A	B	C	D	E	F	G	Insulation plate	weight	Fzmax	Hardness
<b>NVP101</b>	75	40	95	50	50	Max 20	M10	35*35*12	0,9 kg	900N	45°/60°
<b>NVP251(D)</b>	100	55	100	65	105	-	M12	40*40*12	1,9 kg	3000N	45°/60°
<b>NVP501(D)</b>	120	65	120	80	100	-	M16	50*50*12	3,5 kg	4500N	45°/60°
<b>NVP1001</b>	150	80	150	100	130	-	M24	60*60*12	7,3 kg	9000N	45°/60°
<b>NVP2001</b>	200	110	180	100	130	-	M30	70*70*16	10,1 kg	20000N	45°/60°
<b>NVP3001</b>	200	110	230	100	155	-	M36	80*80*16	17,0 kg	34000N	45°/60°

